

➤ Features

- Highly integrated RF-module, all band tuner plus active loopthrough plus UHF modulator.
- +5 V supply voltage only (DC/DC converter built in for 33 V tuning voltage).
- Tuners for horizontal and vertical mounting available.
- Indoor antenna power supply through input connector
- Tuner internal gain control loop with selectable TOP settings via I2C bus.
- 4 MHz crystal reference frequency output.
- Switchable 7/8 MHz SAW filter.
- IF-amplification controllable over a wide range.
- Tuners comply to CENELEC European standards and Nordig.
- Low noise and high sensitivity performance
- Low phase noise

➤ Application

- Set-Top-Box, TV set, PC TV card

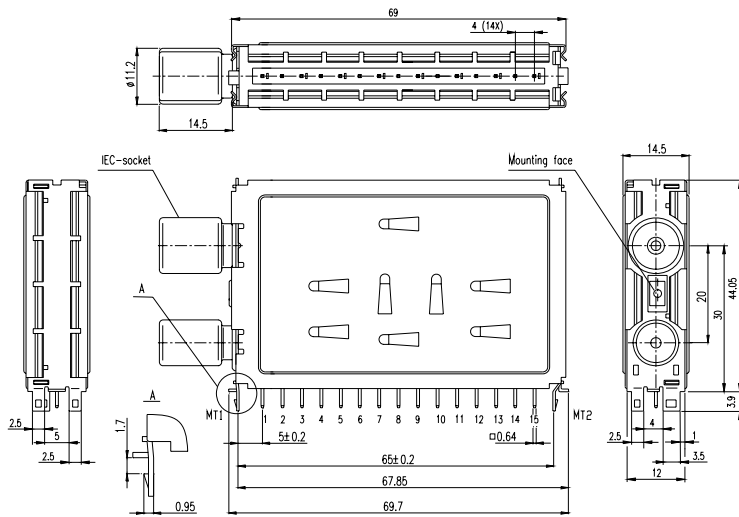
➤ Electrical data

Model No	KS-1601	KS-1601 L	KS-1601 ML
Receiving system	DVB-T COFDM ready		
Channel selection system	PLL (I ² C bus)		
UHF modulator	no	no	yes
Active loop trough	no	yes	yes
RF input/output type	IEC-14 Female/Male		
Input frequency, channel center, MHz	VHF-L	49,0-159,0	
	VHF-H	162,0-444,0	
	UHF	448,0-861,0	
Input impedance, Ω	75		
IF output type (broad / narrow bands)	Asymmetrical / Symmetrical		
Intermediate frequency, channel center, MHz	36,13		
Voltage gain, dB, min	47		
RF AGC range (4-0,3V), dB, min	VHF-L, VHF-H	40	
	UHF	35	
Image rejection, dB, min	VHF-L, VHF-H	66	
	UHF	55	
In-channel return loss, dB, min	8		
Noise figure, dB, max	7		
Osc. phase noise, dBc/Hz, max	+/-1 kHz frequency offset	-78	
	+/-10 kHz frequency offset	-82	
Overall voltage gain, dB, typ	77		
Permissible input voltage, dB _μ V, max	100		

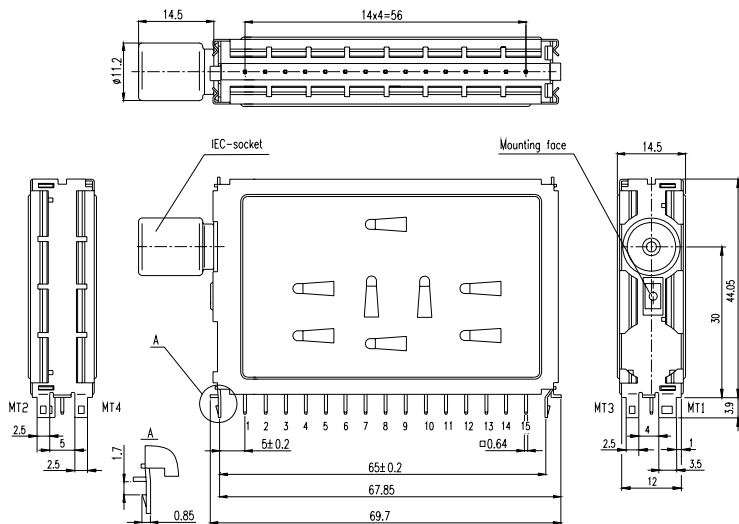
ORDERING INFORMATION

TYPE	DESCRIPTION
KS-1601LM	Loopthrough, vertical mount, full band, remodulator, antenna power, 4 MHz ref. output
KS-1601LDM	Loopthrough, horizontal mount, full band, remodulator, antenna power, 4 MHz ref. output
KS-1601L	Loopthrough, vertical mount, full band, antenna power, 4 MHz ref. output
KS-1601LD	Loopthrough, horizontal mount, full band, antenna power, 4 MHz ref. output
KS-1601	Vertical mount, full band, antenna power, 4 MHz ref. output
KS-1601D	Horizontal mount, full band, antenna power, 4 MHz ref. output
KS-1601ULM	Loopthrough, vertical mount, UHF only, remodulator, antenna power, 4 MHz ref. output
KS-1601ULDM	Loopthrough, horizontal mount, UHF only, remodulator, antenna power, 4 MHz ref. output
KS-1601UL	Loopthrough, vertical mount, UHF only, antenna power, 4 MHz ref. output
KS-1601ULD	Loopthrough, horizontal mount, UHF only, antenna power, 4 MHz ref. output

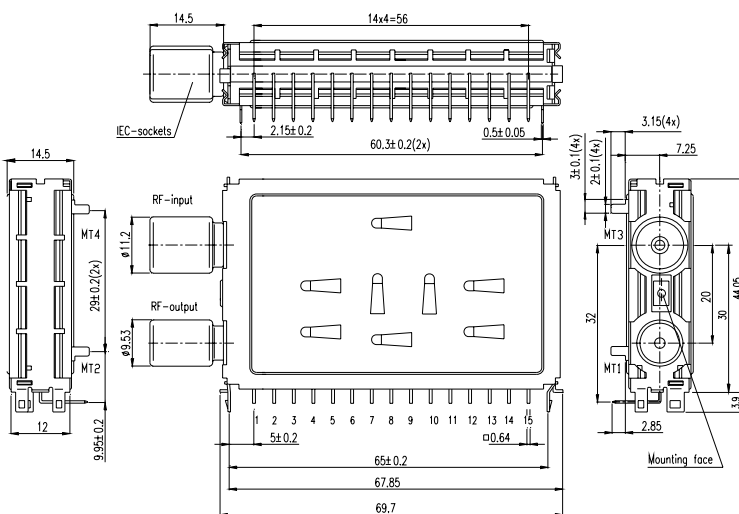
Pin No	Address
1	DC-power
2	V _S mod
3	Audio IN
4	Video IN
5	RF AGC
6	V _T
7	AS
8	SCL
9	SDA
10	4 MHz
11	V _S
12	IF (broad)
13	IF AGC
14	IF1 (narrow)
15	IF2 (narrow)



Mechanical outline. Vertical mounting



Mechanical outline KS-1601 only. Vertical mounting



Mechanical outline. Horizontal mounting